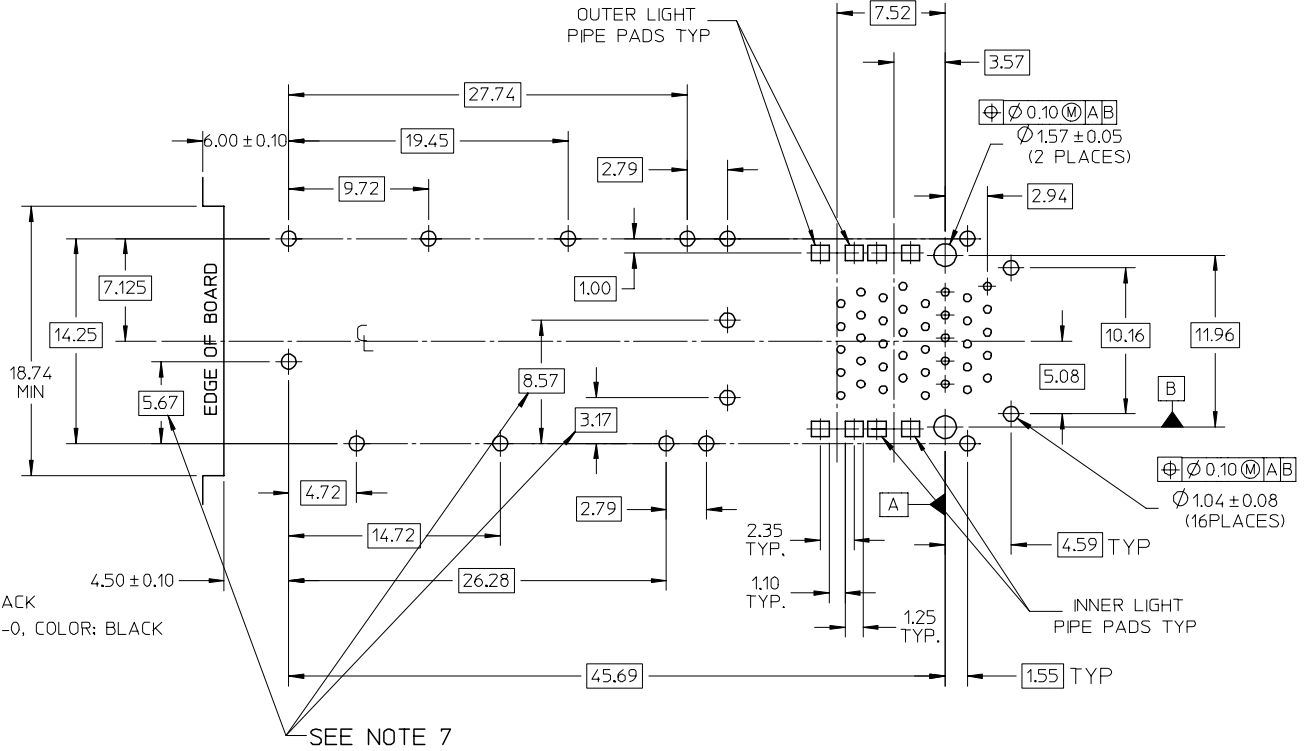
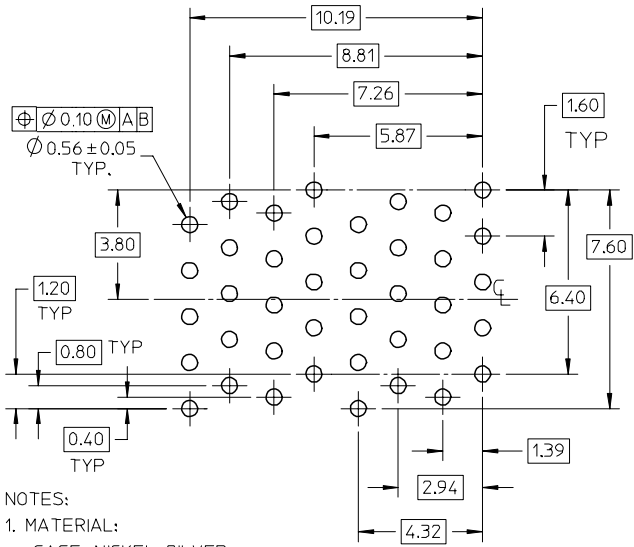


ADD NOTE 8 EC NO: UCP2008-0867 DRWN:MSIBARRA 2007/11/13 CHKD:BBARKER 2007/11/30 APPR:SMILLER 2007/12/03	DESCRIPTION QUALITY SYMBOLS ▽=0 ▽=0	GENERAL TOLERANCES (UNLESS SPECIFIED)		DIMENSION STYLE MM ONLY	SCALE 3:1	DESIGN UNITS METRIC	THIRD ANGLE PROJECTION
		4 PLACES ± --- ± --- 3 PLACES ± --- ± --- 2 PLACES ± 0.25 ± --- 1 PLACE ± --- ± ---	DRAWN BY JLONG DATE 08-28-03	TITLE STACKED SFP 2X1 TALL ASSEMBLY WITH SOLDER TAILS AND LIGHT PIPES			
		ANGULAR ± 5 °	CHECKED BY JLONG DATE 08-28-03	MOLEX INCORPORATED			
		DRAFT WHERE APPLICABLE MUST REMAIN WITHIN DIMENSIONS	APPROVED BY REGNIER DATE 08-29-03	MATERIAL NO. 753100001	DOCUMENT NO. SD-75310-100	SHEET NO. 1 OF 3	

TERMINAL TAIL PATTERN



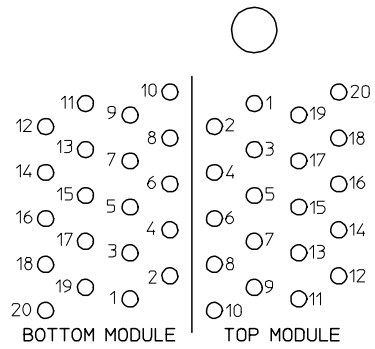
RECOMMENDED PCB LAYOUT
PCB THICKNESS 2.36
COMPONENT SIDE

NOTES:

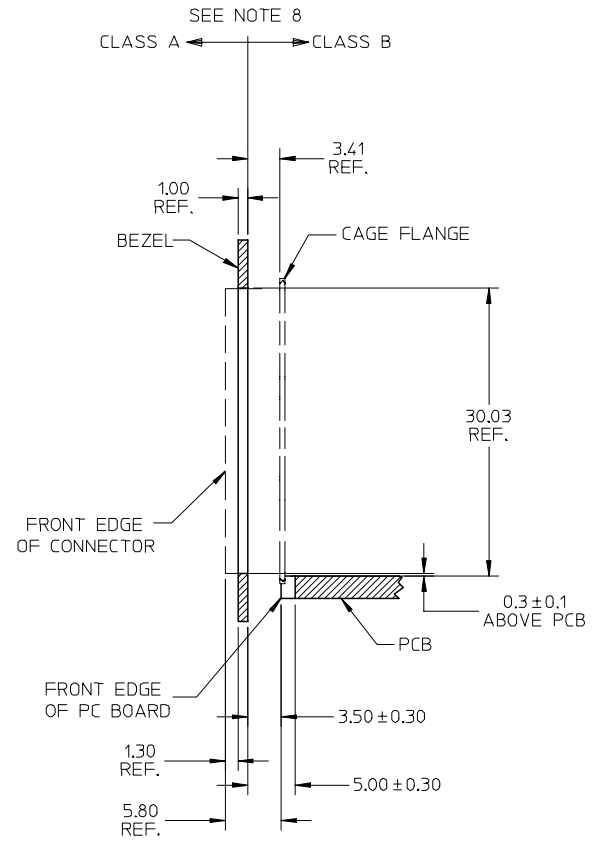
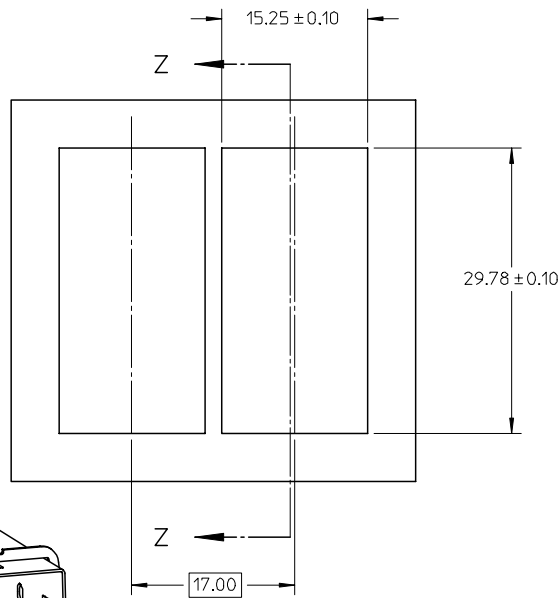
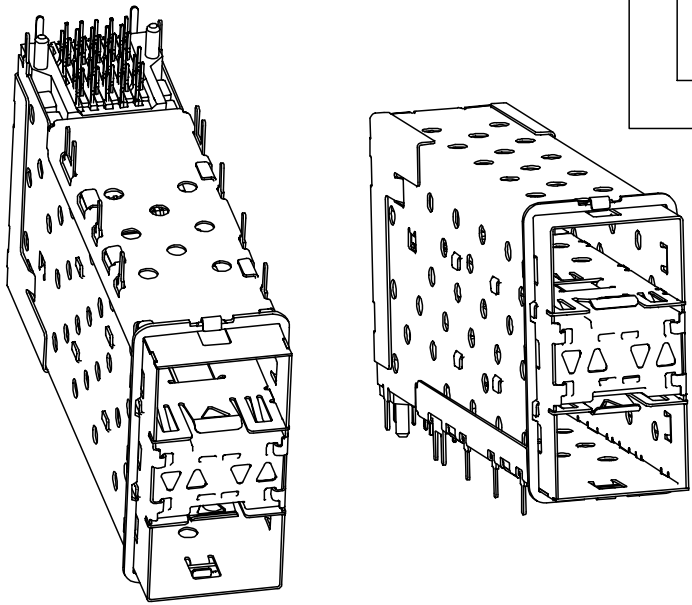
1. MATERIAL:
CAGE: NICKEL SILVER
SFP HOUSING: GLASS FILLED THERMOPLASTIC, UL: 94 V-0, COLOR: BLACK
OVERMOLD FOR TERMINALS: GLASS FILLED THERMOPLASTIC, UL: 94 V-0, COLOR: BLACK
LIGHT PIPE HOUSING: ZINC
LIGHT PIPE: POLYCARBONATE UL: 94 V-0, COLOR: CLEAR
TERMINALS: BRASS
GASKET: CONDUCTIVE SILICONE
2. FINISHES:
LIGHT PIPE HOUSING: 2.03 MICROMETERS MINIMUM NICKEL OVER 0.76 MICROMETERS MINIMUM COPPER
TERMINALS:
CONTACT AREA: 0.76 MICROMETERS MINIMUM HARD GOLD OVER NICKEL.
SOLDER TAIL: 1.90 MICROMETERS MINIMUM TIN OVER NICKEL.
3. REFER TO PS-75310-001 PRODUCT SPEC FOR ALL ELECTRICAL, MECHANICAL AND ENVIRONMENTAL SPECIFICATIONS.
4. REFER TO PK-75310-001 FOR ALL PACKAGING SPECIFICATIONS.
5. PROCESSING: WAVE SOLDER (NOT REFLOW COMPATIBLE).
6. LIGHT PIPE PAD LAYOUT SHOWN IS FOR AN 0805 LOW-PROFILE LED PACKAGE, FOR OTHER RECOMMENDED LAYOUTS REFER TO MOLEX'S REPORT TS-75310-001.
7. THE CURVED TAILS THAT GO INTO THE HOLES LOCATED BY THESE DIMENSIONS ARE BEING ELIMINATED. TO ACCOMMODATE THIS CONVERSION, IT IS RECOMMENDED THAT BOARDS DESIGNED TO THIS PRINT REVISION INCLUDE THESE HOLES.
8. PART COMPLIES WITH COSMETIC SPECIFICATION PS-45499-002. SEE SHEET 3 SECTION Z-Z FOR SURFACE CLASSIFICATIONS. UNDERSIDE OF CAGE COMPLIES WITH CLASS "C".

SEE NOTE 7

ADD NOTE 8 EC NO: UCF2008-0867 DRW:MSI/BARRA 2007/11/13 CHK:D/BARKER 2007/11/30 APPR:SMILLER 2007/12/03	QUALITY SYMBOLS ▽=0 ▽=0	GENERAL TOLERANCES (UNLESS SPECIFIED)		DIMENSION STYLE MM ONLY		SCALE 3:1	DESIGN UNITS METRIC	THIRD ANGLE PROJECTION		
			mm	INCH	DRAWN BY JLONG	DATE 08-28-03	TITLE STACKED SFP 2X1 TALL ASSEMBLY WITH SOLDER TAILS AND LIGHT PIPES			
		4 PLACES ± --- ± ---	3 PLACES ± --- ± ---	CHECKED BY JLONG	DATE 08-28-03					
			2 PLACES ± 0.25 ± ---	1 PLACE ± --- ± ---	APPROVED BY REGNIER	DATE 08-29-03	MATERIAL NO. 753100001			
	ANGULAR ± 5 °		DRAFT WHERE APPLICABLE MUST REMAIN WITHIN DIMENSIONS		DOCUMENT NO. SD-75310-100		SHEET NO. 2 OF 3			



CONNECTOR PIN-OUT
COMPONENT SIDE OF BOARD



SECTION Z-Z

COSMETIC CLASS EC NO: UCP2008-0867 DRWN: MSIBARRA 2007/11/13 CHKD: BBARKER 2007/11/30 APPR: SWILLER 2007/12/03	QUALITY SYMBOLS	GENERAL TOLERANCES (UNLESS SPECIFIED)		SCALE 2:1	DESIGN UNITS METRIC	THIRD ANGLE PROJECTION	REVISE ON CAD ONLY	
	DESCRIPTION ▽ = 0 ▽ = 0	mm	INCH	DIMENSION STYLE MM ONLY		TITLE		
		4 PLACES ± --- ± ---	3 PLACES ± --- ± ---	2 PLACES ± 0.25 ± ---	DRAWN BY JLONG	DATE 08-28-03	STACKED SFP 2X1 TALL ASSEMBLY WITH SOLDER TAILS AND LIGHT PIPES	
		1 PLACE ± --- ± ---	ANGULAR ± 5 °		CHECKED BY JLONG	DATE 08-28-03	MOLEX INCORPORATED	
REV	DRAFT WHERE APPLICABLE MUST REMAIN WITHIN DIMENSIONS		APPROVED BY REGNIER	DATE 08-29-03	MATERIAL NO. 753100001	DOCUMENT NO. SD-75310-100	SHEET NO. 3 OF 3	
				THIS DRAWING CONTAINS INFORMATION THAT IS PROPRIETARY TO MOLEX INCORPORATED AND SHOULD NOT BE USED WITHOUT WRITTEN PERMISSION				